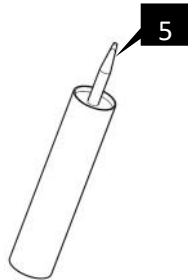
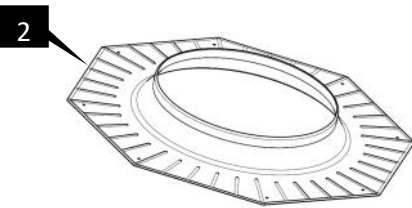
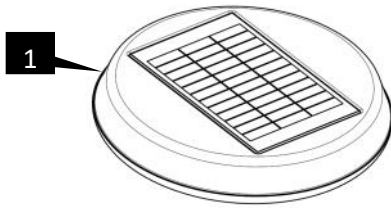


Solar Star[®] Roof Mounted Attic Fan

Solar Star[®] RM 1500
Solar Star[®] RM 2400
Installation Instructions



Parts List *		Quantity
1	Solar Star Fan Assembly (RM 1500 shown)	(1)
2	Roof Flashing (pitched or no pitch)	(1)
3	Solar Star Mounting Screws—#8 x 1/2 in (13mm)	(4)
4	Flashing Screws - #10 X 2 in (51 mm)	(8)
5	Roof Sealant	(1)

Required Tools:

Saber or Reciprocating Saw

Hammer

Flat Bar

Utility Knife

Tape Measure

Caulking Gun

Screw Gun with Phillips Head

Lumber Crayon

Magnetic Compass

Required Safety Equipment

*High Velocity Hurricane Zones: To meet requirements, Solar Star HVHZ RM 1500 (part# 122290) and HVHZ RM 2400 (part# 122440) must be installed with 6 in High flashing.

HVHZ models are approved for tile roof applications.

WARNING



Do not proceed with the installation until you have read the entire instructions, including these warnings. (Use of materials or methods not authorized by Solatube International will result in an invalid warranty.)

Solatube International, Inc. (seller) assumes no responsibility or obligation whatsoever for the failure of an architect, contractor, installer, or building owner to comply with all applicable laws, ordinances, building codes, electrical codes, energy codes, fire and safety codes and requirements, roof warranties and adequate safety precautions. Installation of this product should be attempted only by individuals skilled in the use of the tools and equipment necessary for installation. Protect yourself and all persons and property during installation. If you have any doubt concerning your competence or expertise, consult a qualified expert before proceeding.



Install at your own risk!

Solatube product installations may be dangerous and include the potential for death, personal injury and property damage. The hazardous conditions include but are not limited to the following:

- Solatube Daylighting System and Solar Star products may have sharp edges. Always wear leather or canvas gloves while handling and installing products.
- Solatube product installations require climbing and working at dangerous heights, including on ladders, scaffolding, roofs and in attic spaces. Risk of death, personal injury and property damage may result from a fall, or from falling objects. Use extreme caution to minimize risk of accidental injury, including, but not limited to the following procedures:
 - Clear area below your work space of all people, animals and other items.
 - Avoid working on surfaces that are slippery or wet.
 - Use foot-wear with excellent traction.
 - Use only strong, well supported ladders.
 - Work only in calm dry weather.
 - When in the attic, ensure that your weight is supported at all times with structurally sound framing; drywall material is not designed to carry a person's weight.
- To reduce the risk of fire, electric shock, and personal injury, basic safety precautions should always be followed when using electric tools, including always wearing safety goggles or other suitable eye protection, and ensuring work area is clear of all electrical wires, gas pipes, water pipes, and other obstacles.
- When working in the attic or other dusty areas, use of a mask or respirator is recommended to avoid lung irritation. Attic spaces may be dark, confined, and subject to extreme temperatures. Beware of sharp protruding objects. Do not attempt installation without having someone within range of your voice or close enough to come to your aid if necessary.
- Solatube products are not designed to withstand the weight of a person, tools or other objects. Walking or placing objects on the system could cause personal injury and property damage. If the product is damaged, the structural capacity may be weakened; therefore the system should be repaired immediately. For safe installation and use, do not deviate from these installation instructions.

Re-Roofing

- Solatube products require special care if removed for re-roofing. In order to ensure proper removal and re-installation, please contact your Solatube International representative.



Solar Star Installation Tips

These instructions are a step-by-step guide for the installation of a Solar Star attic ventilation products in the following conditions. For other roof types, please contact your Solatube International representative for additional information.

Built Up Flat Roof - Single Ply/Membrane - Asphalt Shingle - Low/No Pitched - Pitched - Prefabricated Curbs - Metal Roof Panels

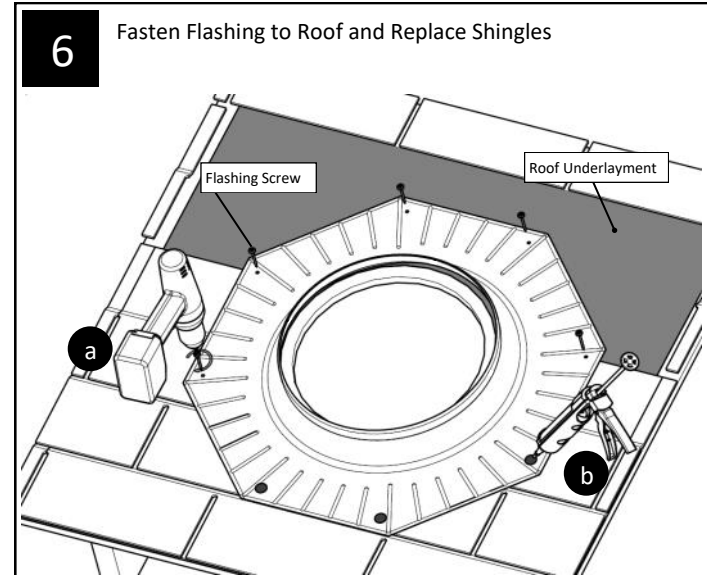
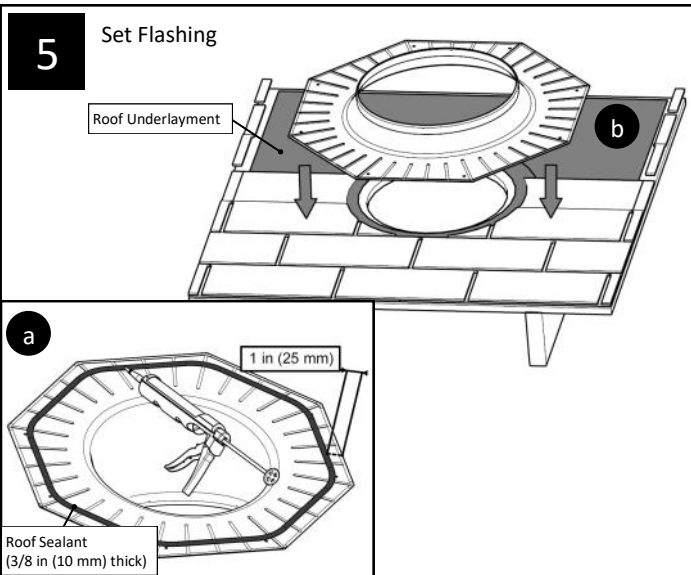
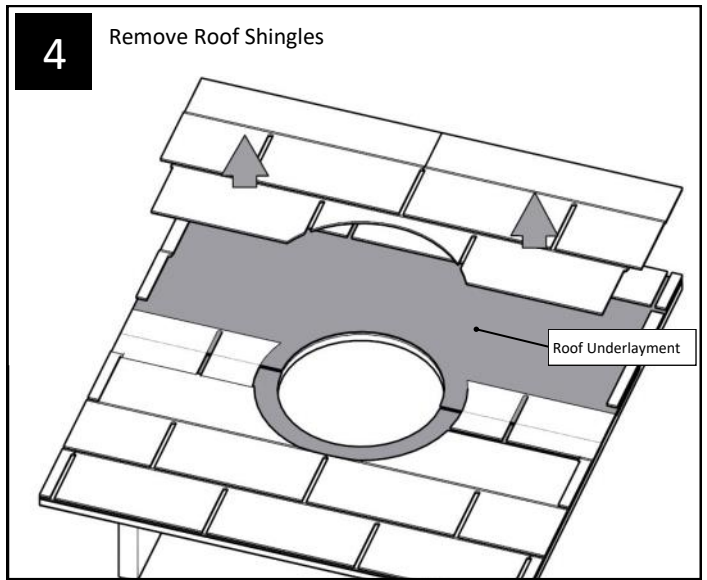
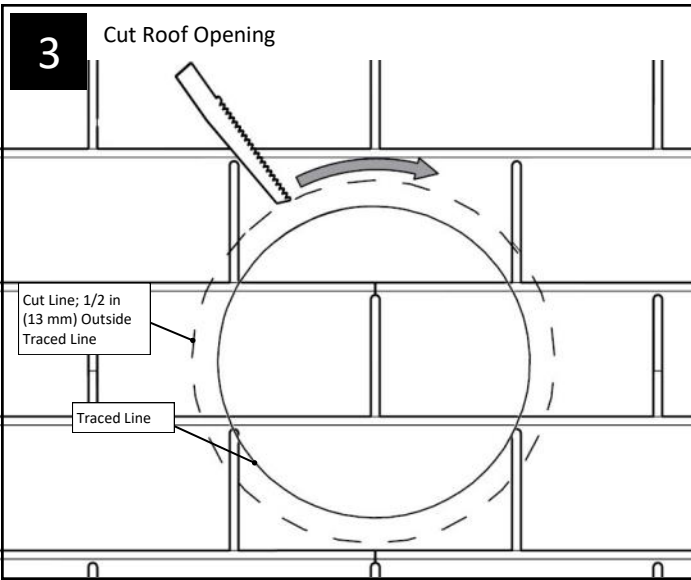
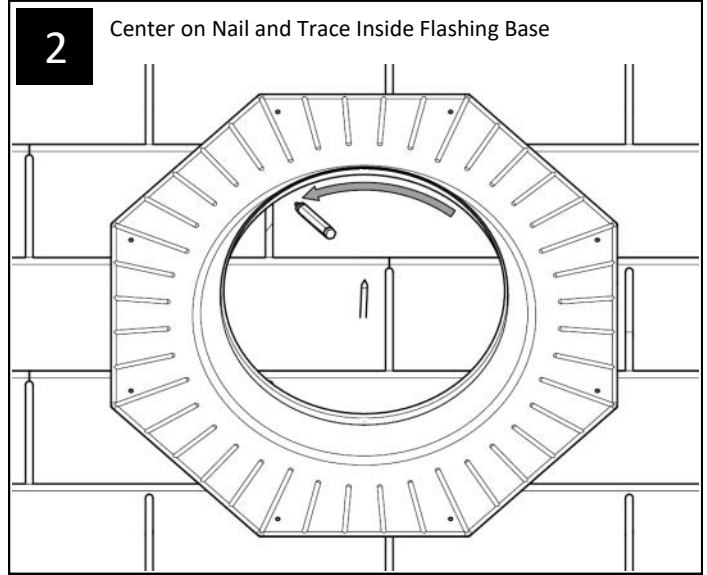
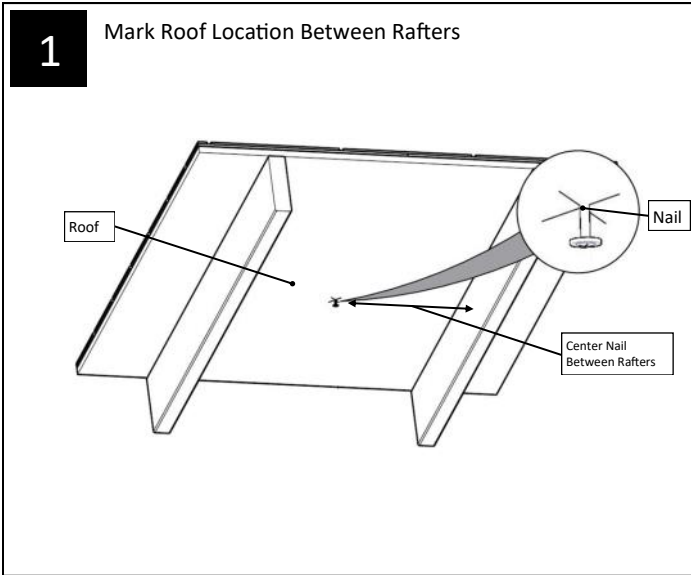
- Solar Star products develop 100% of their operational power from the sun; therefore, it is very important that the solar panel be exposed to as much sunlight as possible. The best location for Solar Star products is on the south facing slope.
- Install the Solar Star Roof Mounted Attic Fan just below the top ridge of the roof, since hot moist air will naturally rise to the top portion of the attic. Ensure net free air intake opening is a minimum of 1/150 of attic square footage or is meeting your local building code requirements.
- Keep Solar Star solar panels covered until product is mounted and sealed to roof. Cover solar panel whenever motor, fan, or unit is to be serviced. Fan blade is controlled by the solar panel and may become operational when panel is exposed to sunlight.
- Solar Star products are designed for general ventilation purposes only. Do not exhaust any hazardous materials or gases such as flammable, explosive or incendiary materials.
- Solar Star products have an unguarded fan blade. Do not use Solar Star products in areas that are easily accessible.
- If your home has gable or dormer vents, install the Solar Star Roof Mounted Attic Fan between vents or consider the Solar Star IM1500.

Caution

- Carbon monoxide may be drawn into a house or attic space with the operation of Solar Star products if fuel-burning equipment is not serviced or monitored regularly. Carbon monoxide (CO) is a colorless, odorless gas that can be hazardous to your health and may cause death. Fuel-burning equipment must have proper ventilation, Solar Star products are not designed to provide ventilation for fuel-burning products.

For the most current Installation Instructions, please visit www.solatube.com/instructions

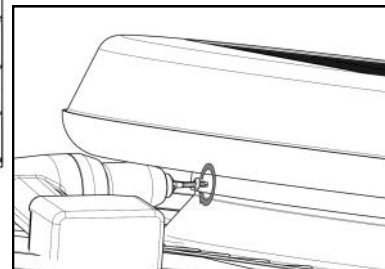
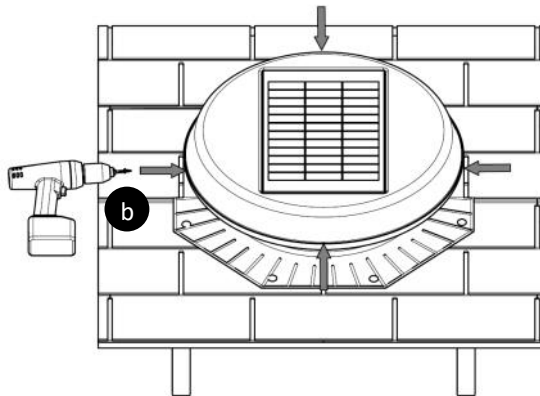
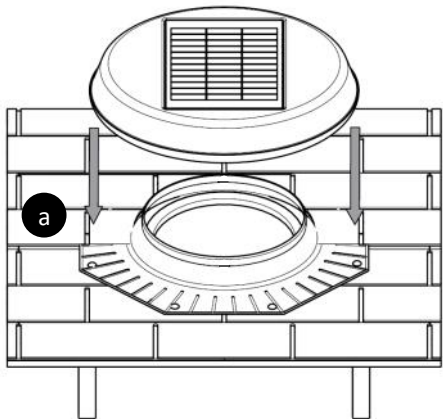
Solatube International, Inc. | 2210 Oak Ridge Way | Vista, CA 92081-8341 | www.solatube.com | T: 888.SOLATUBE



7

Install Fan Assembly

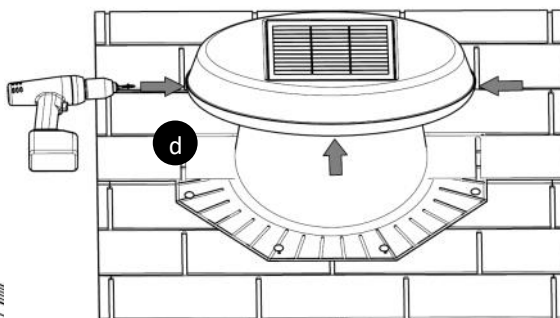
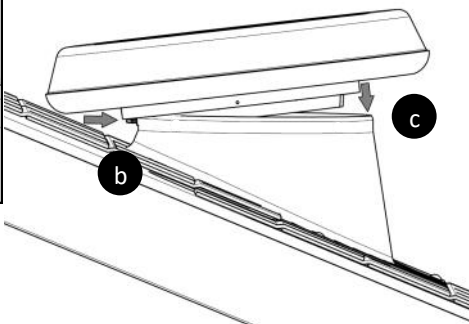
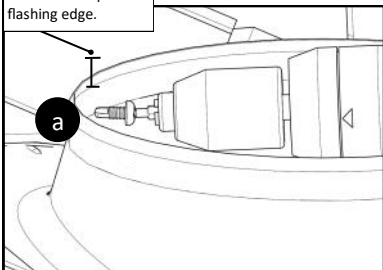
For no-pitch RM 1500, no-pitch RM 2400, and pitched RM 2400.



Alternative Fan Assembly

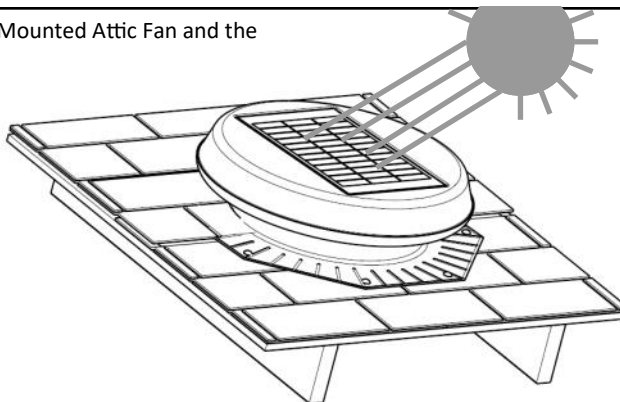
For pitched RM 1500 and RM 2400, use steps below:

Drill 1/2 in (13 mm) down from top of flashing edge.



8

Now you can enjoy the benefits of your Solar Star Roof Mounted Attic Fan and the high performance, attic ventilation it provides.



Please refer to the Solatube Brighten Up Series Installation Instructions for alternative roof types and flashings.